

*'No longer possible to simply
continue along previous lines':*
Cultivating flexible,
transversal engagement
in intersecting processes
of social, environmental & scientific
change

Peter Taylor
Science in a Changing World graduate track
University of Massachusetts Boston

<http://bit.ly/EcosurPT>

**“I made the wrong turn 30
years ago”**

*How can we reduce our
vulnerability to staying too
long with our chosen path of
research?*

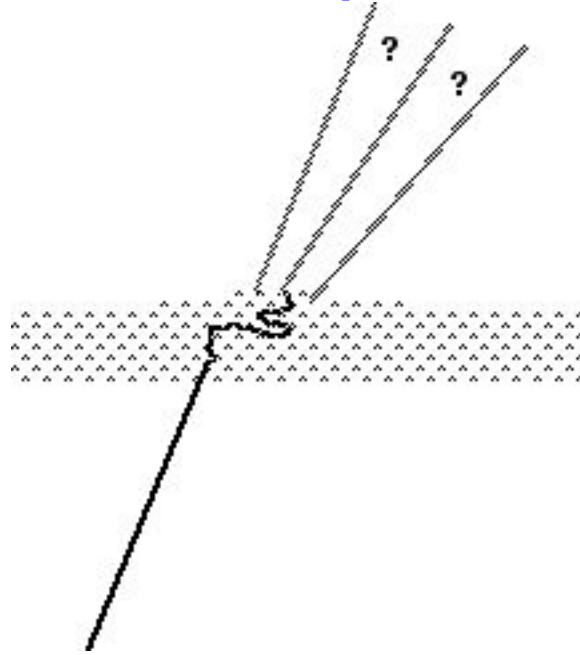
“We couldn’t know how this technology would be used, so I pulled back.”

Two ideals:
flexible engagement & transversal engagement

Three vignettes:
socio-environmental studies
social studies of mental illness
social studies of scientific knowledge

-> alternative path from Latour (1987):
interdisciplinary workshops etc.
for “refractive practice”

refractive practice



refractive practice

Principle 1:

Participants always bring a lot of knowledge about the topic of the session -> allow that to be brought to surface & acknowledged.

Principle 2:

What you really learn from a workshop or participatory experience is what you integrate with your own concerns.

refractive practice

Principle 1:

Participants always bring a lot of knowledge about the topic of the session -> allow that to be brought to surface & acknowledged.

Principle 2:

What you really learn from a workshop or participatory experience is what you integrate with your own concerns.

Guided Freewriting (What I think or feel about the possibility that I may stay too long with my chosen path of research is...)

Share one idea with a neighbour

Vignette 1:
Intersecting Processes
socio-environmental studies

Mauri María Barros - Luis María Barros
Elena Álvarez-Buylla

Lagunas

deterioro ambiental
y tecnología en el
campo semiproletariado

EL PROBLEMA URUGUAYO

Changes in

political-economics, environment, population
health & science

can be seen as the outcome of *intersecting
processes*

operating across different spatial and
temporal scales,
transgressing the boundaries of the
situation under consideration &
restructuring its "internal" dynamics.

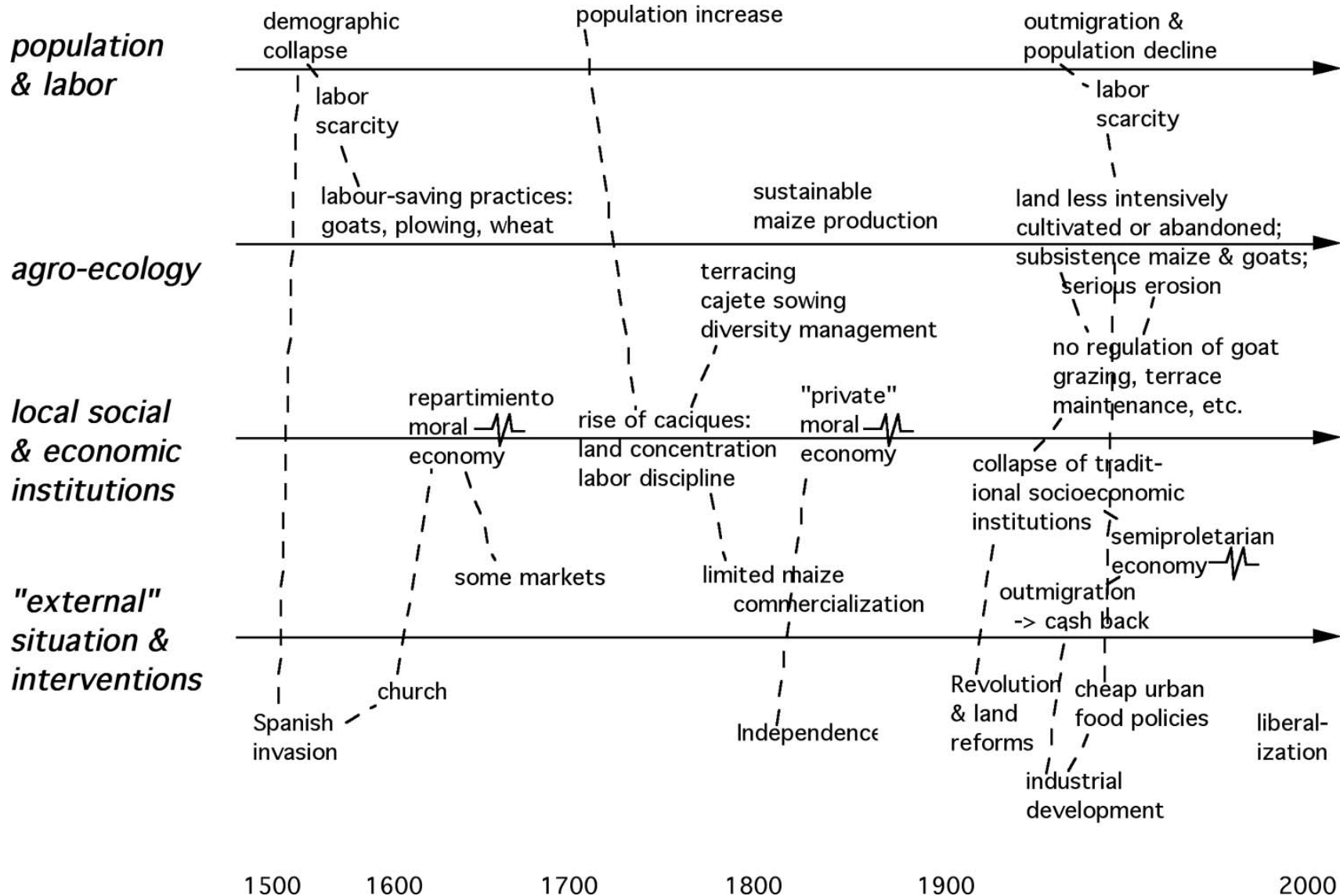
Changes in

political-economics, environment, population
health & science

can be seen as the outcome of *intersecting
processes*

operating across different spatial and
temporal scales,
transgressing the boundaries of the
situation under consideration &
restructuring its "internal" dynamics.

**Analysis of such processes exposes diverse
sites of engagement.**

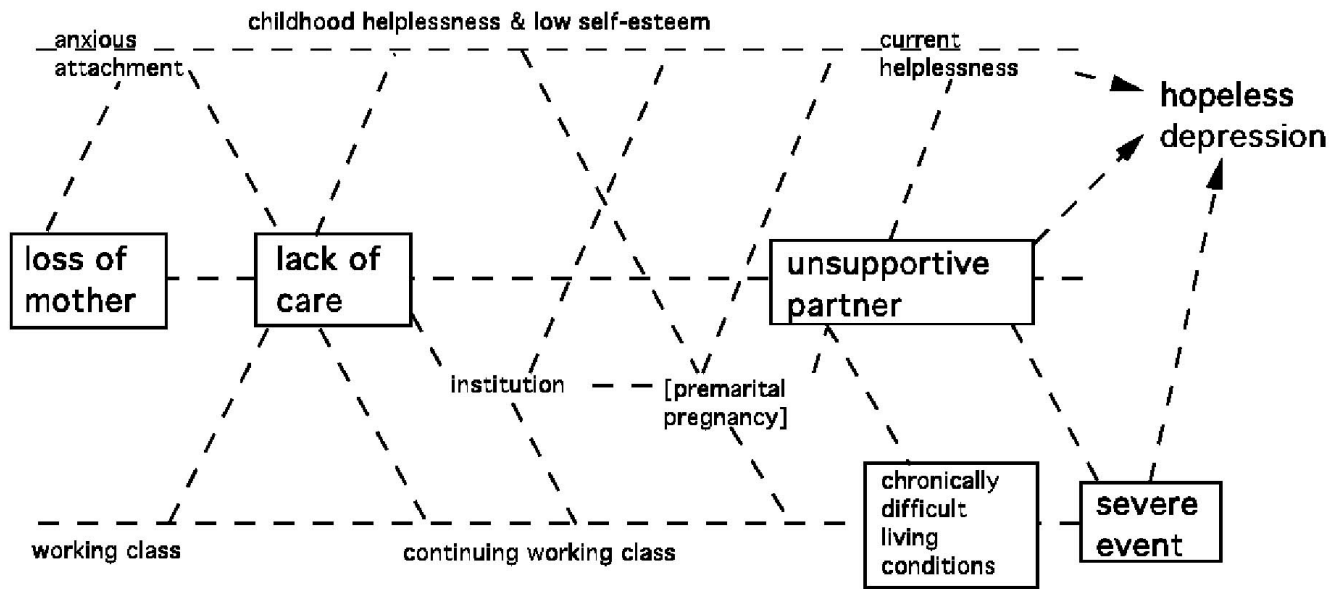


Vignette 2:
Intersecting Processes
social studies of mental illness

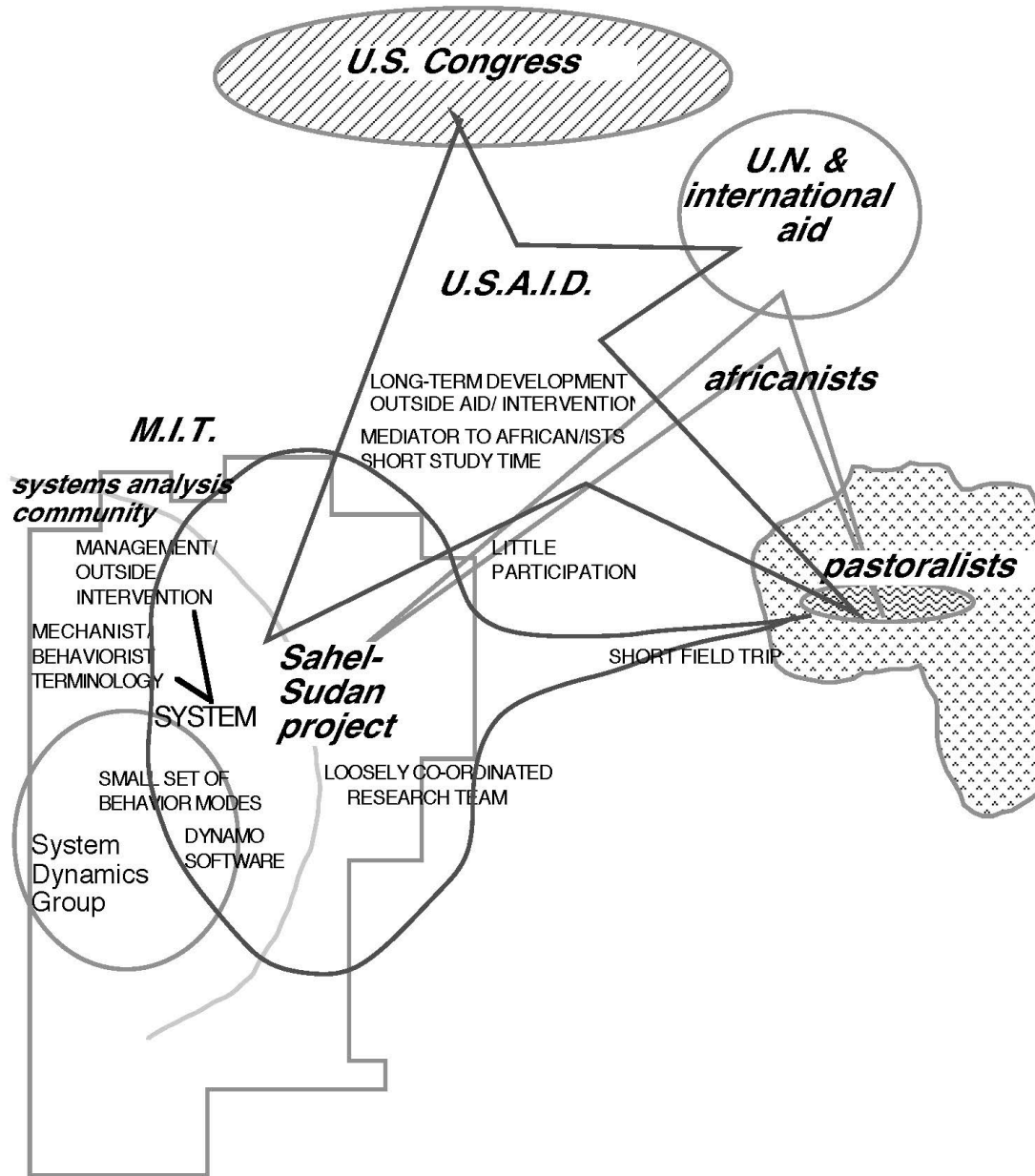
psychology

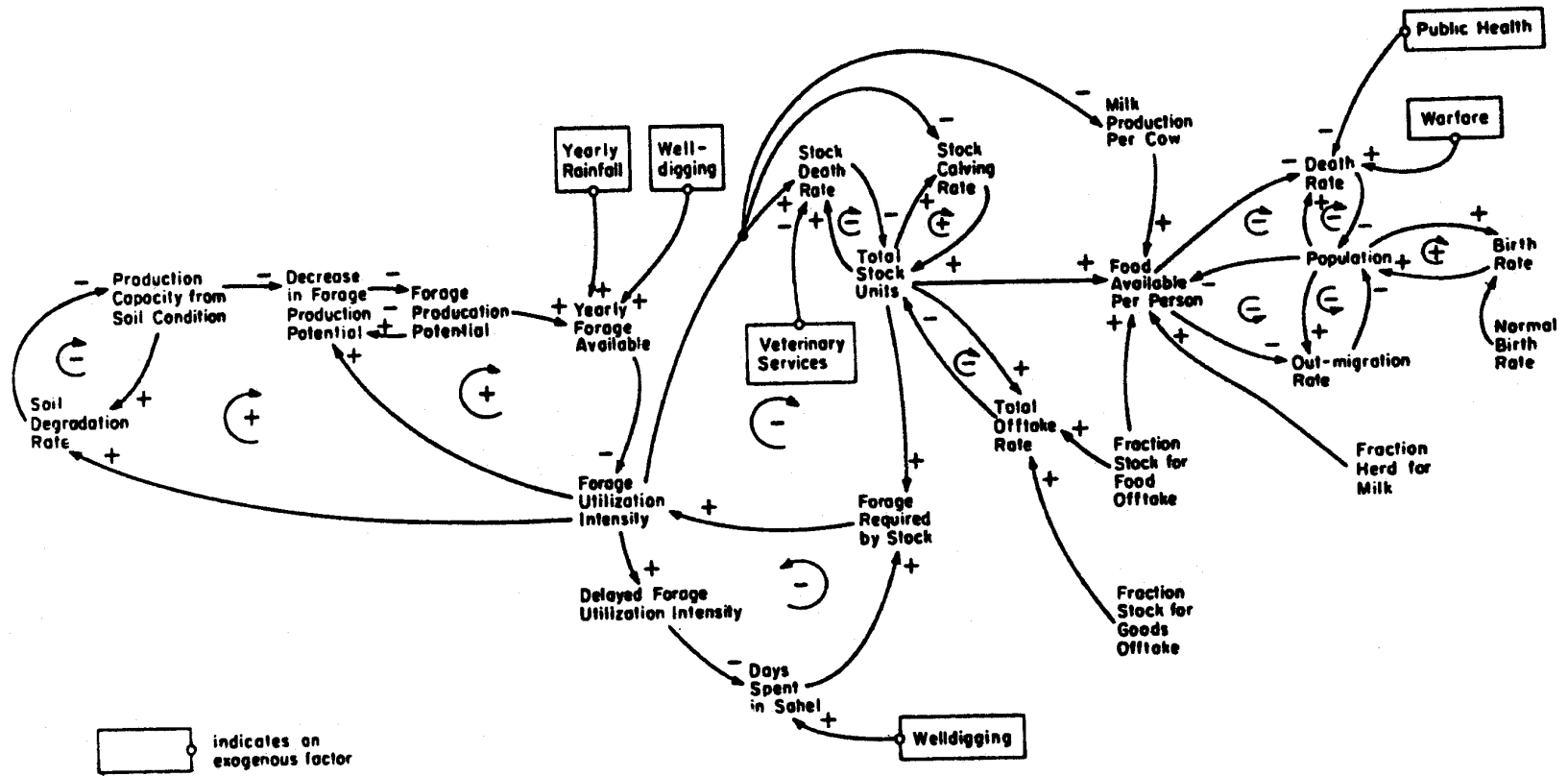
family

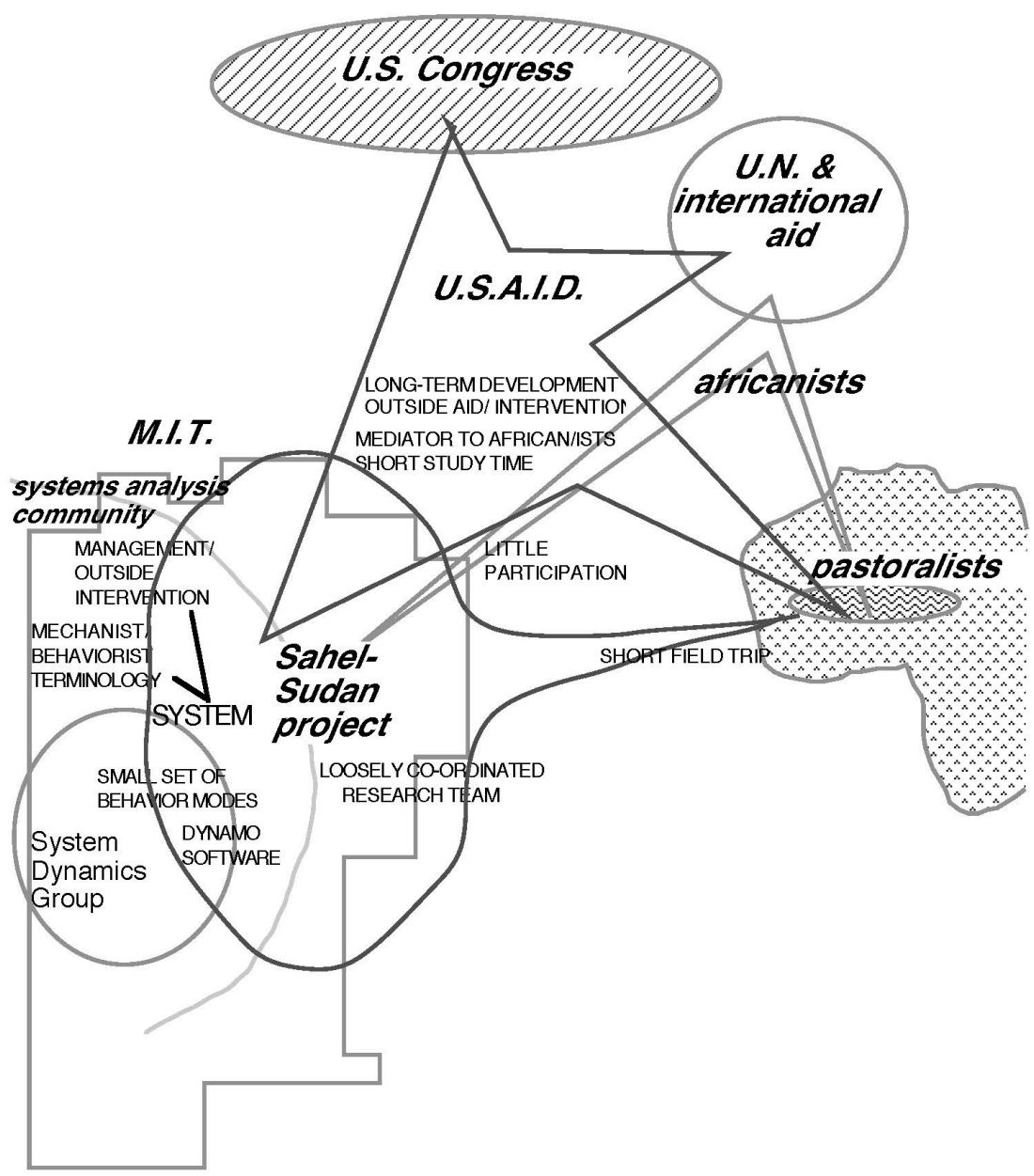
class



Vignette 3:
Heterogeneous
Resources
social studies of science









“long, heterogeneous list of resources and allies that scientists... gather... to make dissent impossible”

-> Q: How difficult is it, in practice, to modify established knowledge & practices?



-> 1. Humans, other living & non-living things
all resist being mobilized (ANT)

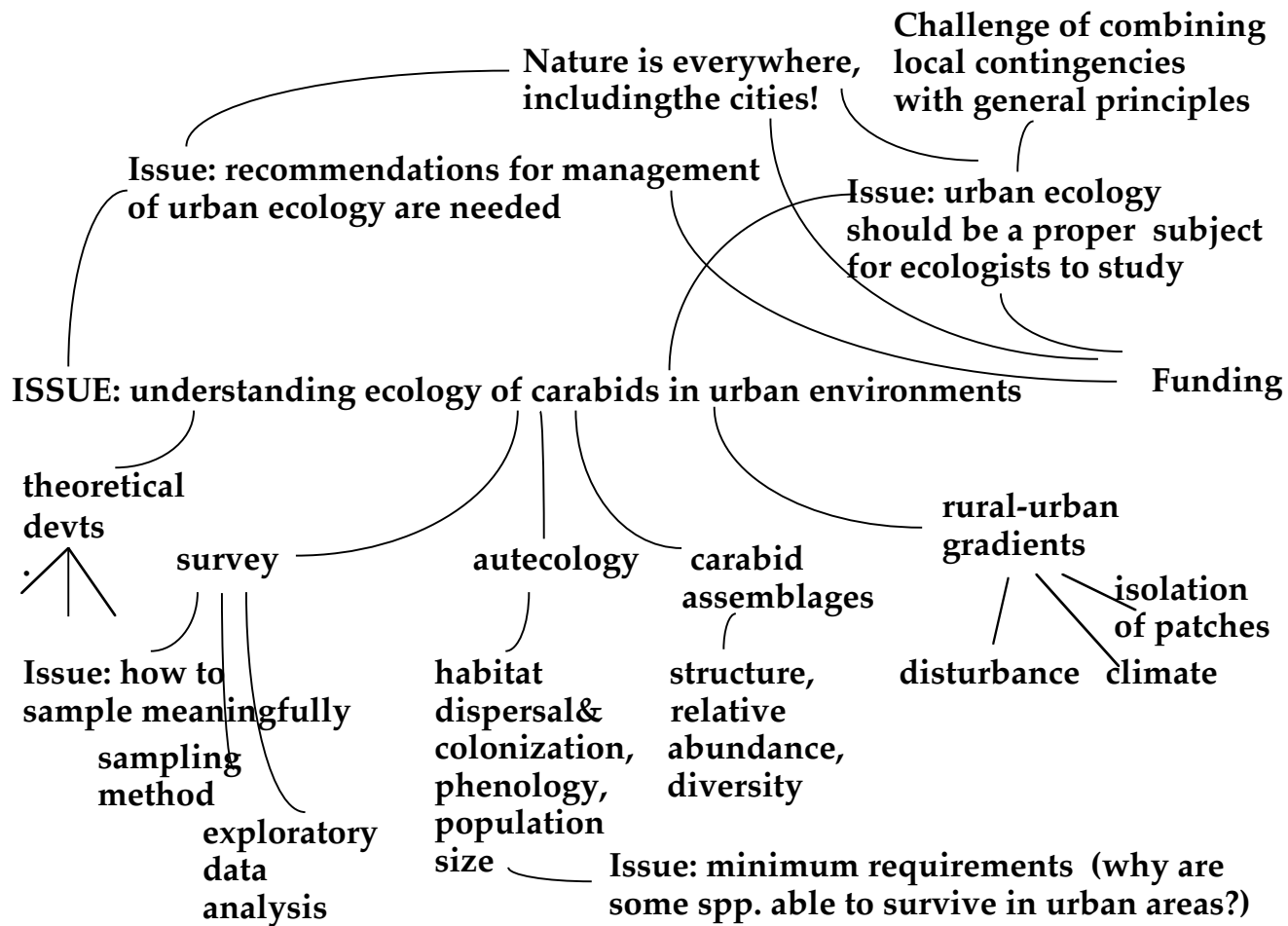
vs.

2. Reflexive, embedded, self-conscious human
modifiers

Path 2 from Latour (1987):
interdisciplinary workshops
etc.

for “refractive practice”
(3 more vignettes +
problems)

Vignette 4: Mapping workshops



**“no longer possible to simply continue along
previous lines”**

“no longer possible to simply continue along previous lines”

-> Ideal 1

Flexible engagement

participants in any knowledge-making situation
connect quickly with others who are almost
ready to foster participatory processes
&, through the experience such processes
provide their participants,
contribute to enhancing the capacity of others
to do likewise.

Vignette 5: Participatory Community Planning

WEST NIPISSING VISION

STRONG DIVERSIFIED ECONOMIC BASE			EXCITING ATTRACTIVE COMMUNITY TO LIVE IN			ACTIVELY INVOLVED POPULATION		
WIDELY PROMOTED TOURISM BASE	EXPANDED BUSINESS DEVELOPMENT	APPROPRIATE NATURAL RESOURCES DEVELOPMENT	WELL MAINTAINED EXPANDING INFRA-STRUCTURE	COMMUNITY BASED SERVICES	RESPONSIVE ACCOUNTABLE UNIFIED GOVERNMENT	ACTIVE INVOLVED COMMUNITY	IMPROVED RECREATION OPPORTUNITY	LIFELONG EDUCATION FACILITIES
Broad Based Tourism Promotion	Modern Recycling Facilities	Forestry Development	Improved Transportation Network Locally/Area	First Response Teams	Effective Cooperation Between Municipalities	Active Involvement of Citizens in All Community Developments	Youth Activities Promoted and Supported	Accessible Expanded Adult Education
Improved Four Season Accommodation	Northern Ontario Service Industry Centre	Expanded Local Agricultural Market		Community Based Services for Mental Health & Physically Challenged				
	Accessible Waterways and Waterfronts		Appropriate Natural & Resource Based Industry	Well Serviced Community	Expanded Local Access to Specialized Clinics	West Nipissing Friendly Welcoming Community	Focused Job Training Programs	
Packaged Tourist Attractions & Tours	Incentive Programs to Attract Businesses	Fish Hatcheries	Environmentally Responsive Community		Coordinated Integrated Services under One Roof			Local Service Boards in Unincorporated Municipalities
	Expanded Coordinated Community Festivals			Francophone Bilingual College	Expanded Vibrant Senior Citizen Community	Re-evaluate Land Use By-laws	Open Communication across West Nipissing	
		Local Businesses meet all needs	Clean Lake Nipissing		Restructured Social Assistance System			Improved Organized Sports
	Attract Government Offices							

Problem

Gripped by uncertainty: Sturgeon Falls springs into action following the closure of its primary employer.

Print

Author: Haddow, Scott Hunter

Date: Jan 1, 2003

Words: 942

Publication: Northern Ontario Business

ISSN: 0710-2755

Sturgeon Falls is again facing the job loss blitzkrieg that is sweeping across Northern Ontario. Weyerhaeuser closed their containerboard mill in Sturgeon Falls on Dec. 5. The closure affected 140 workers and an entire community.

"It translates into a major financial loss to the municipality," says Gary O'Connor, mayor of Sturgeon Falls.

-> Ideal 2

transversal engagement

practice and policy

- takes seriously the creativity & capacity-building from well-facilitated participation among people who share a place or livelihood
- mitigates adverse trans-local decisions
- incorporates knowledge-making of non-local or trans-local researchers—including their analyses of abstracted dynamics of political-economic change

Vignette 6: “CPR” workshops

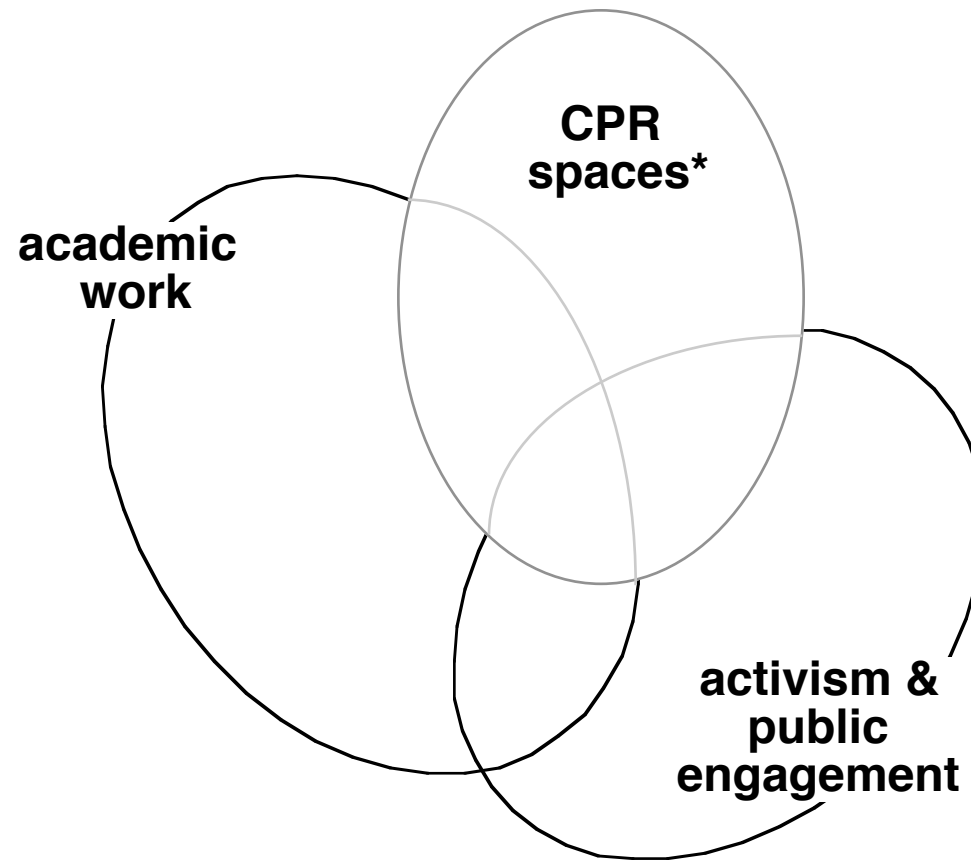
**“most workshops are dysfunctional.
This one wasn’t”**

**evaluations
New England Workshop on
Science & Social Change
2004**

New England Workshop on Science & Social Change

Topics have included

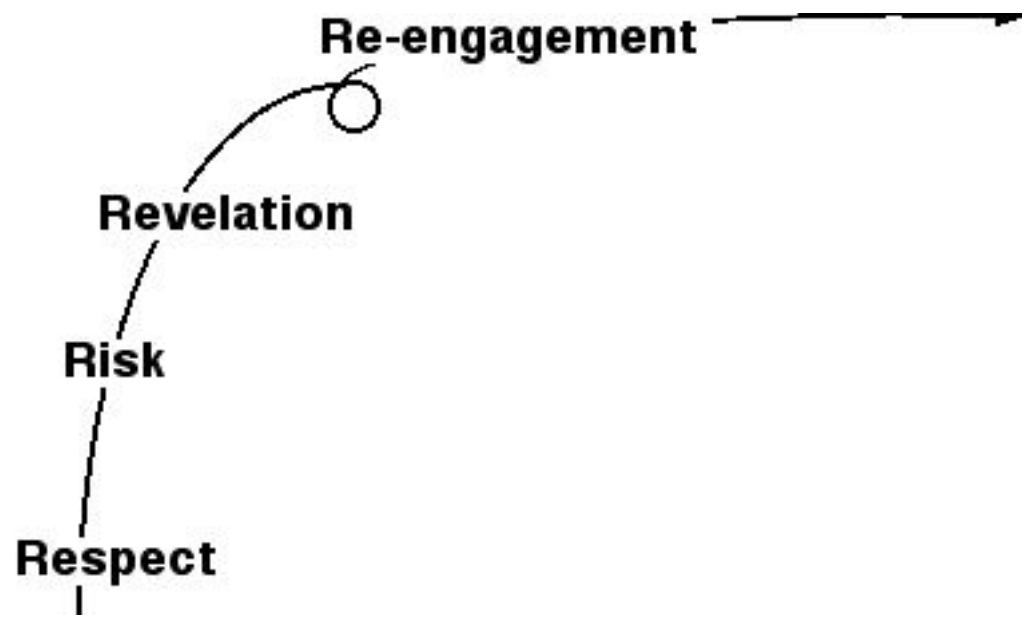
- social shaping of the use of genetic knowledge
- complexities of genes-environment-development
- social implications of ecological restoration
- collaborative generation of environmental knowledge and inquiry
- heterogeneity in biosocial development
- teaching and public engagement beyond disciplinary boundaries
- collaborative production of knowledge: health, environment, and publics (Portugal)
- troubled by heterogeneity? (Portugal)
- scaffolding social and scientific change

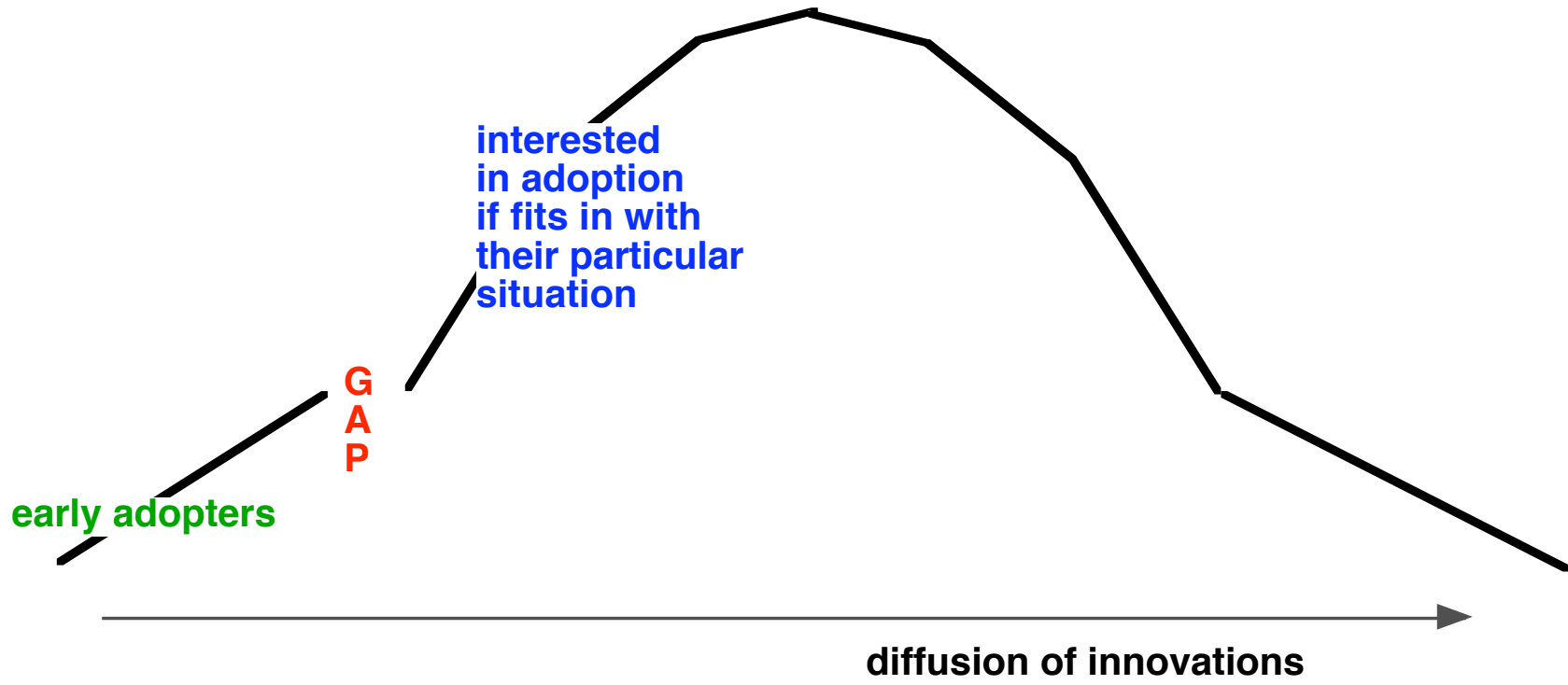


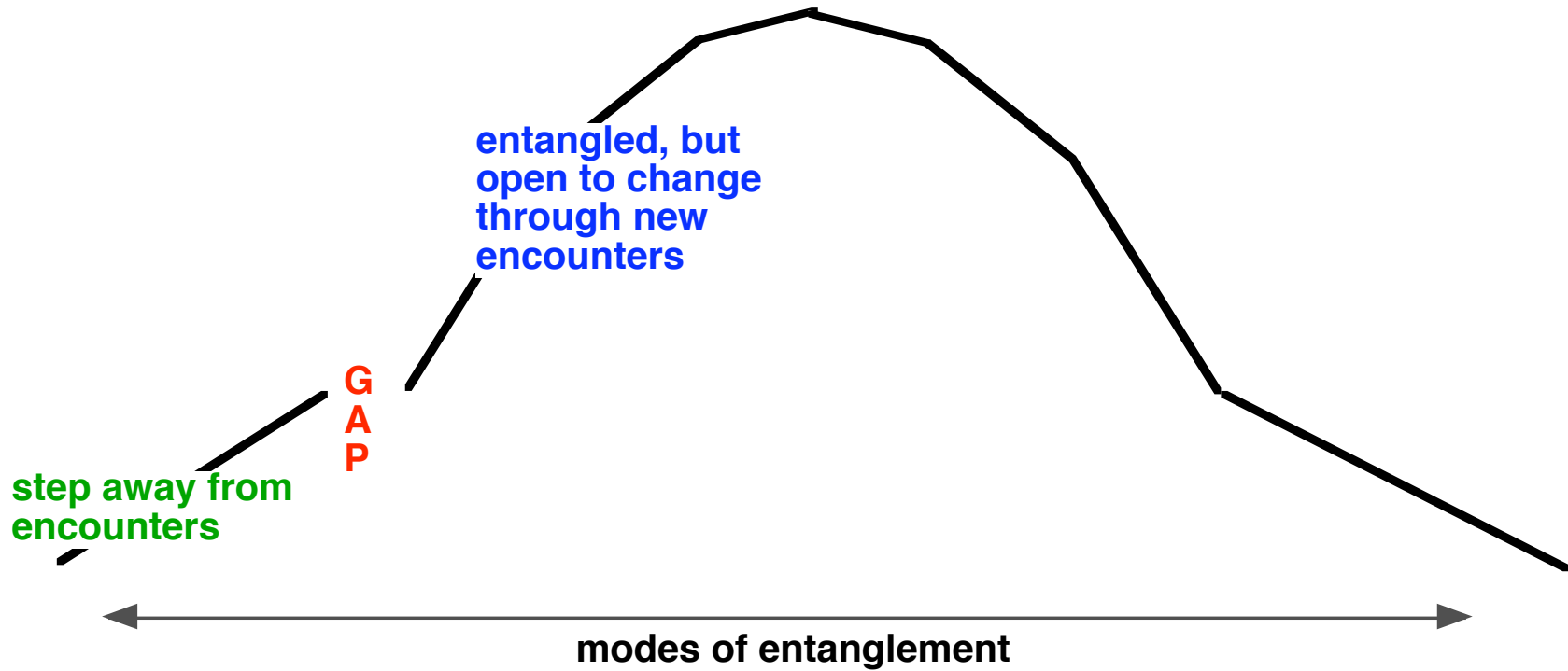
* Connecting, Probing, Reflecting

CPR spaces

emphasizing the value of
discussion, reflection & clarifying
one's identity and affinities
with academic and action/engagement dimensions
kept in view



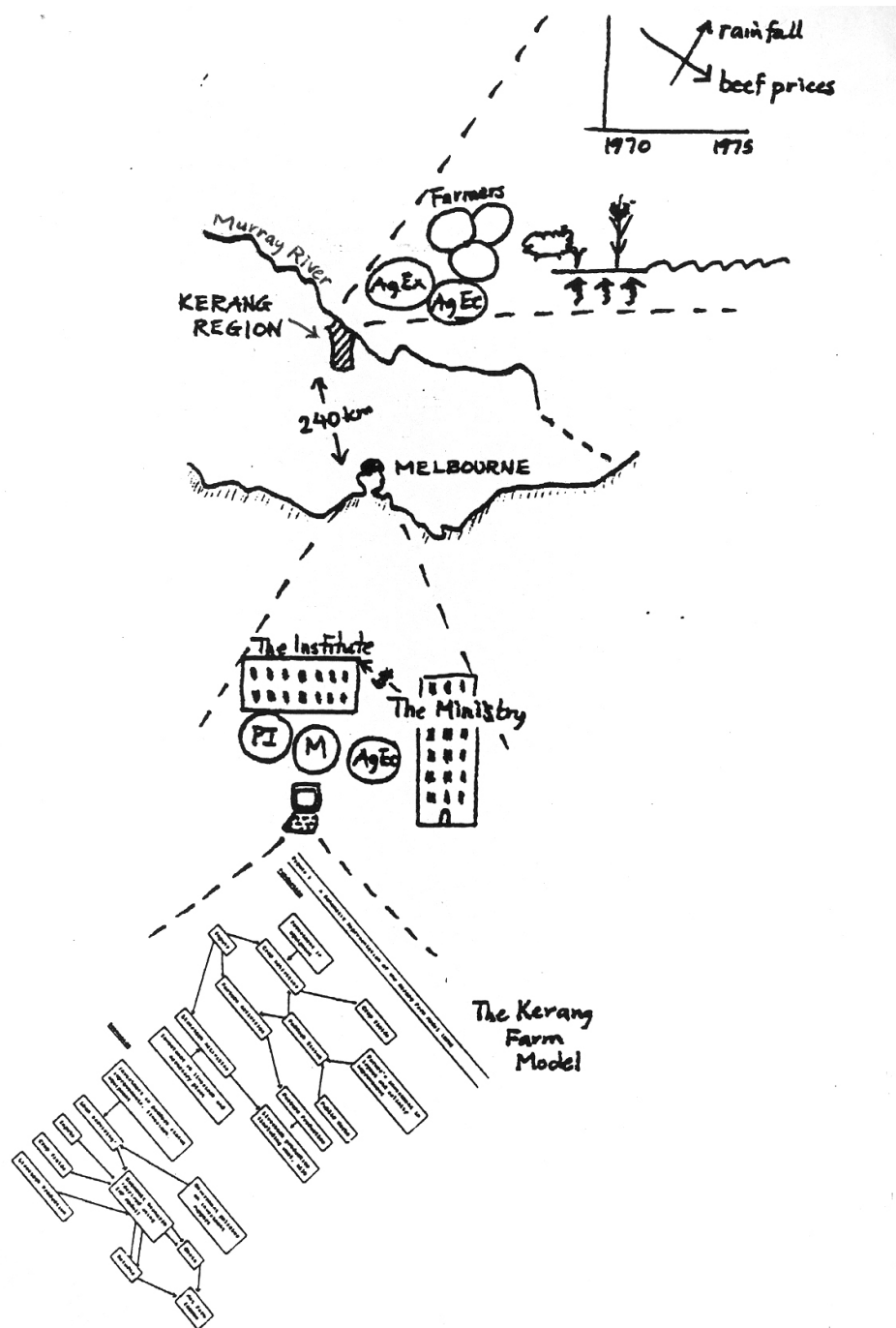




*How can we reduce our
vulnerability to staying too
long with our chosen path of
research?*

How can we reduce our vulnerability to staying too long with our chosen path of research?

No grand claim, but 4 contributions:
1 negative; 3 positive



“If I had stayed longer in the area, I may have connected with a range of change agents”

*How can we reduce our
vulnerability to leaving a path
of research too quickly?*

Peter J. Taylor

Unruly Complexity



Ecology, Interpretation, Engagement

Unruly Complexity

PETER J. TAYLOR

CHICAGO



TAKING YOURSELF SERIOUSLY

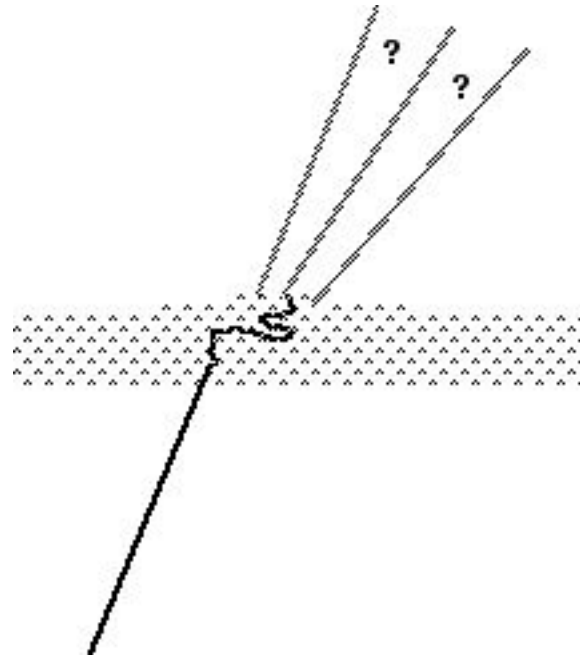
Processes of Research and Engagement

Peter J. Taylor and Jeremy Szteiter

collaborative explorations

<http://collabex.wikispaces.com>

refractive practice



Plus-Delta feedback:

On a strip of paper, note (en español o en inglés)

- +) one thing you appreciated from the presentation &
- Δ) one thing that needs to be developed further (by the speaker or by you)