

Fig. 26-1



Fig. 26-3

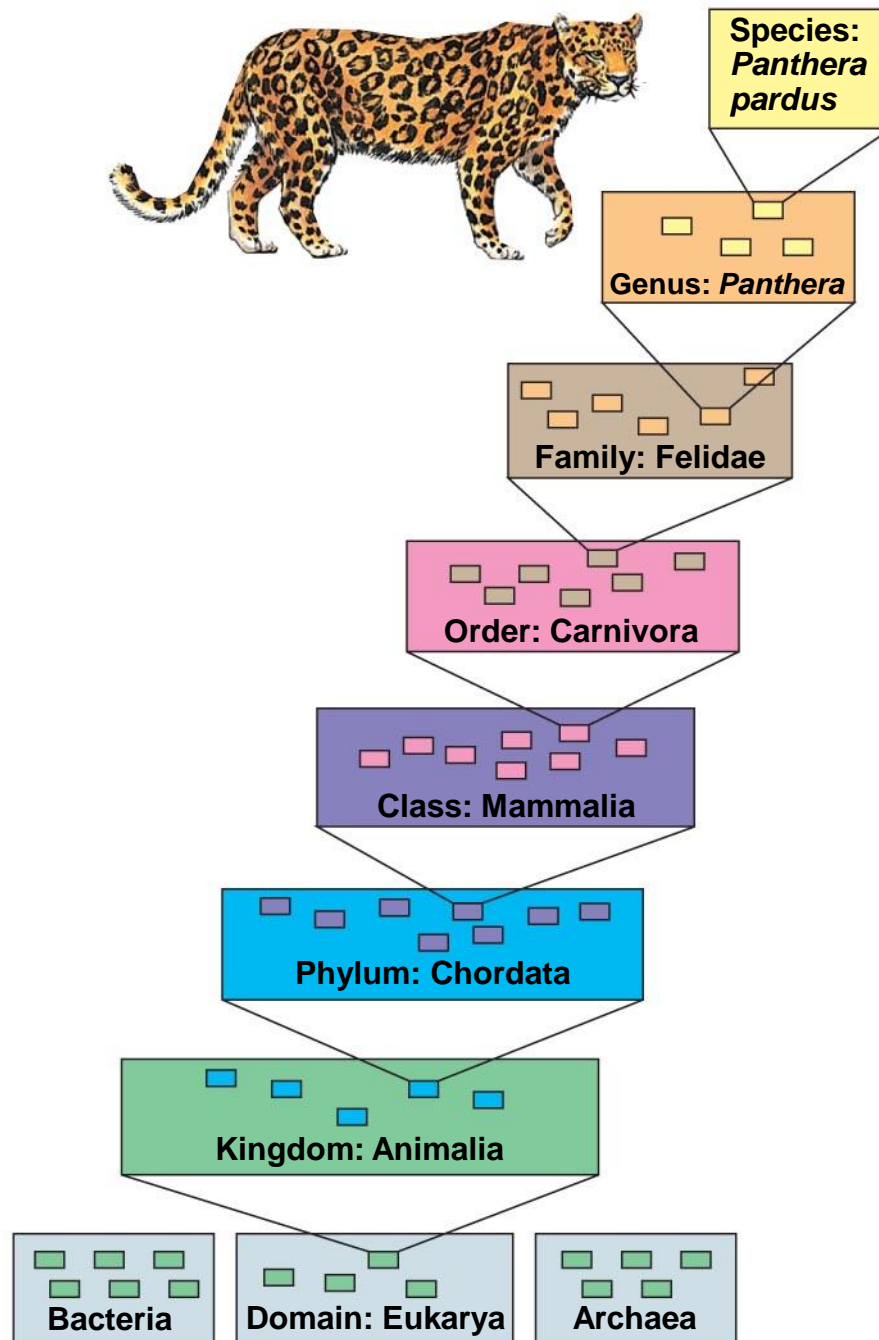


Fig. 26-2

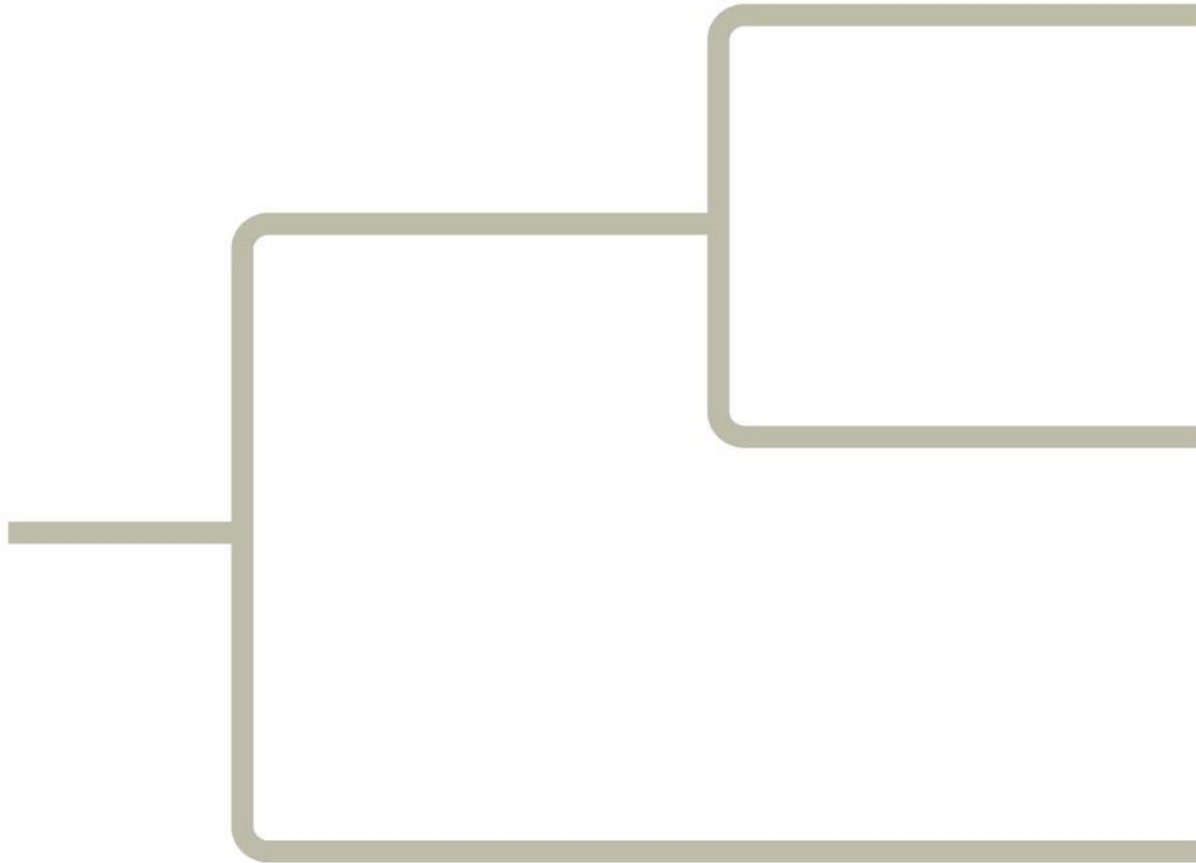
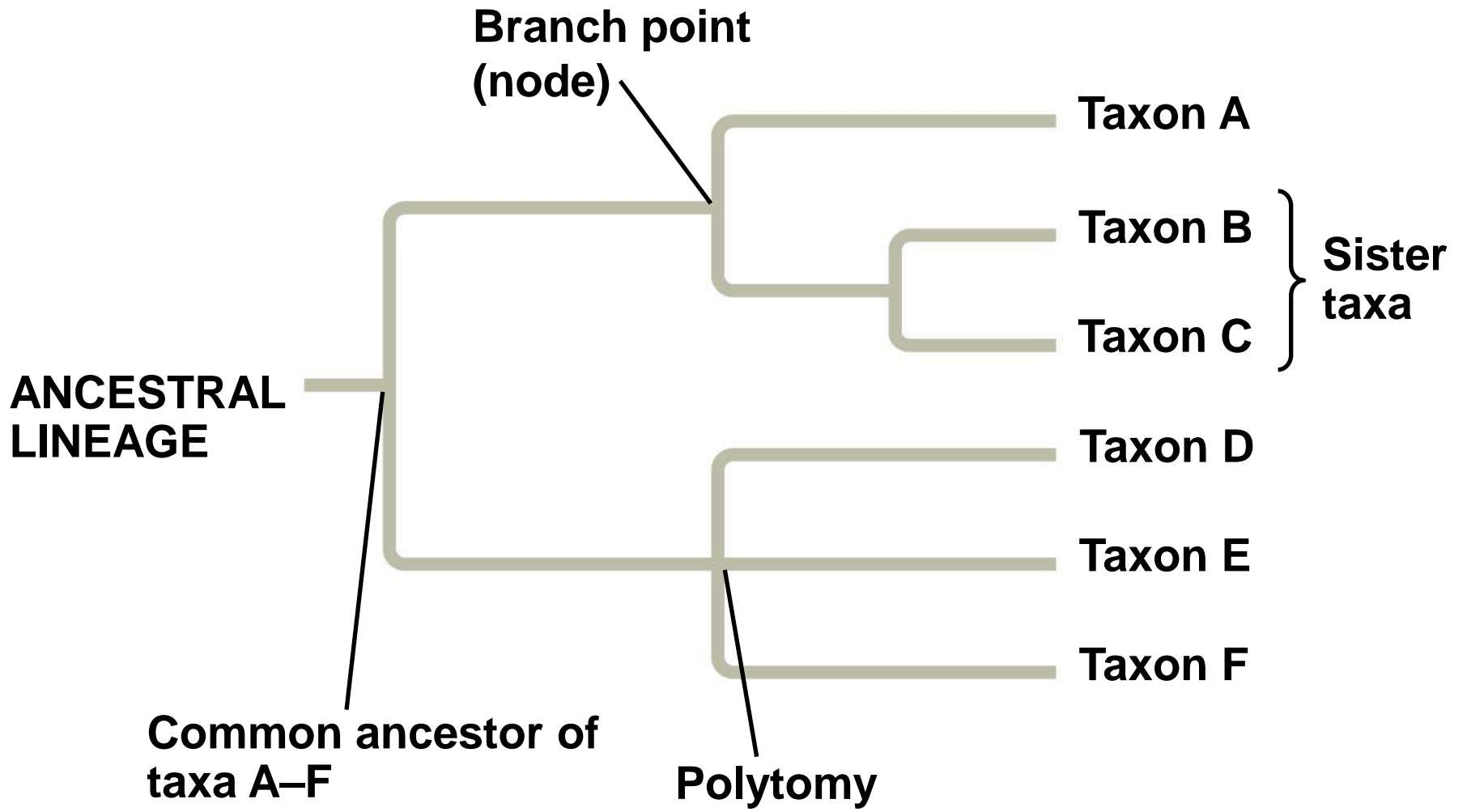
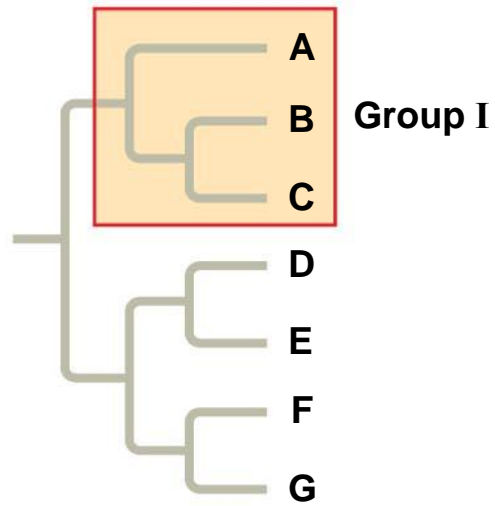
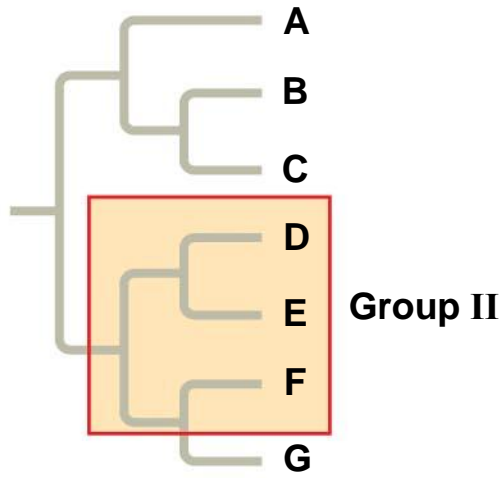


Fig. 26-5

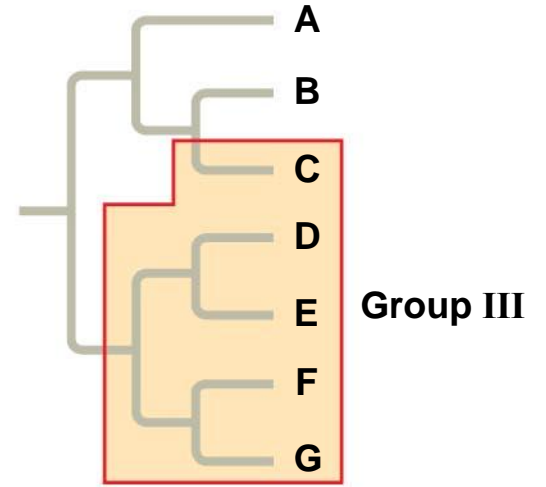




**(a) Monophyletic group (clade)**

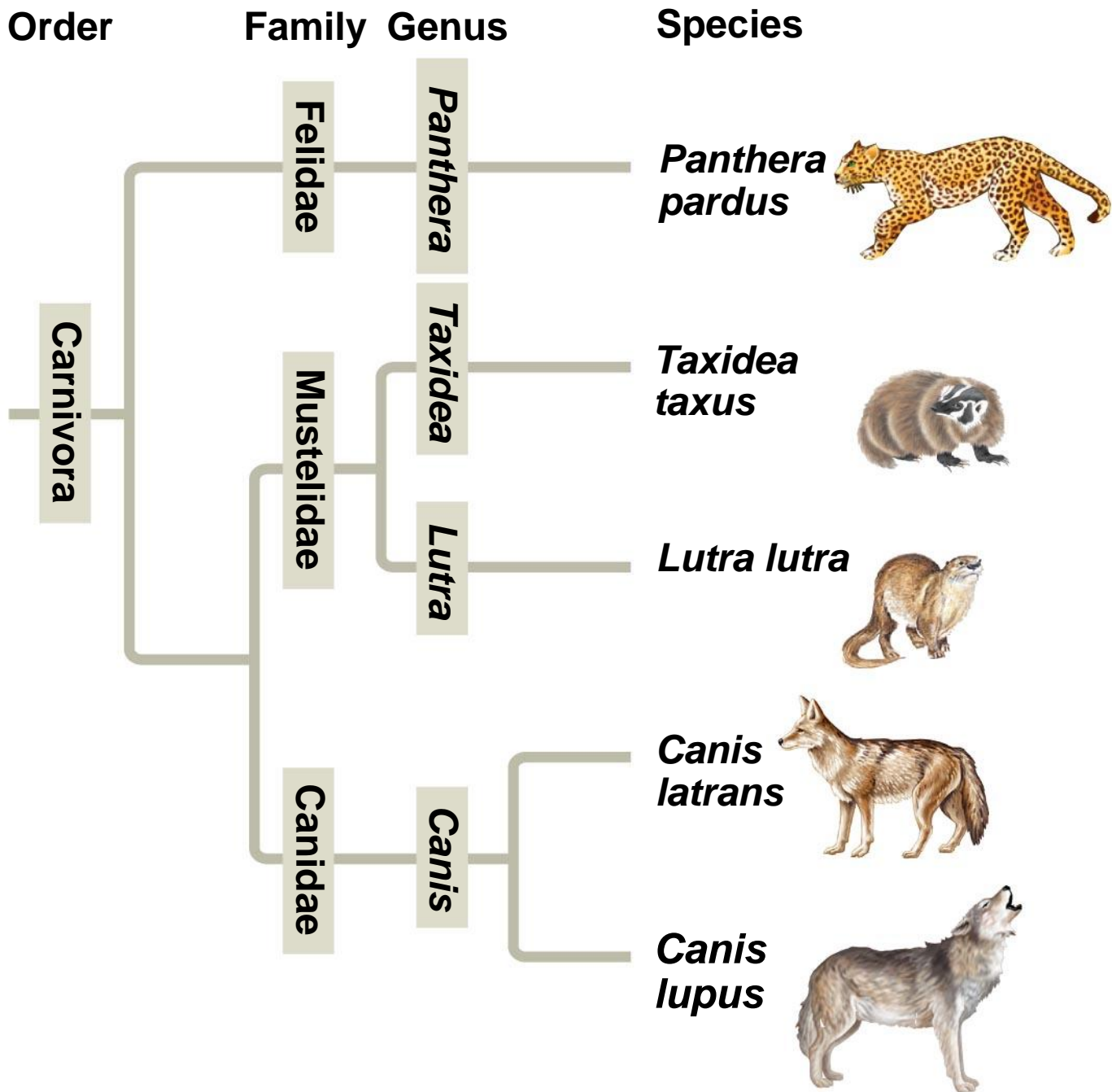


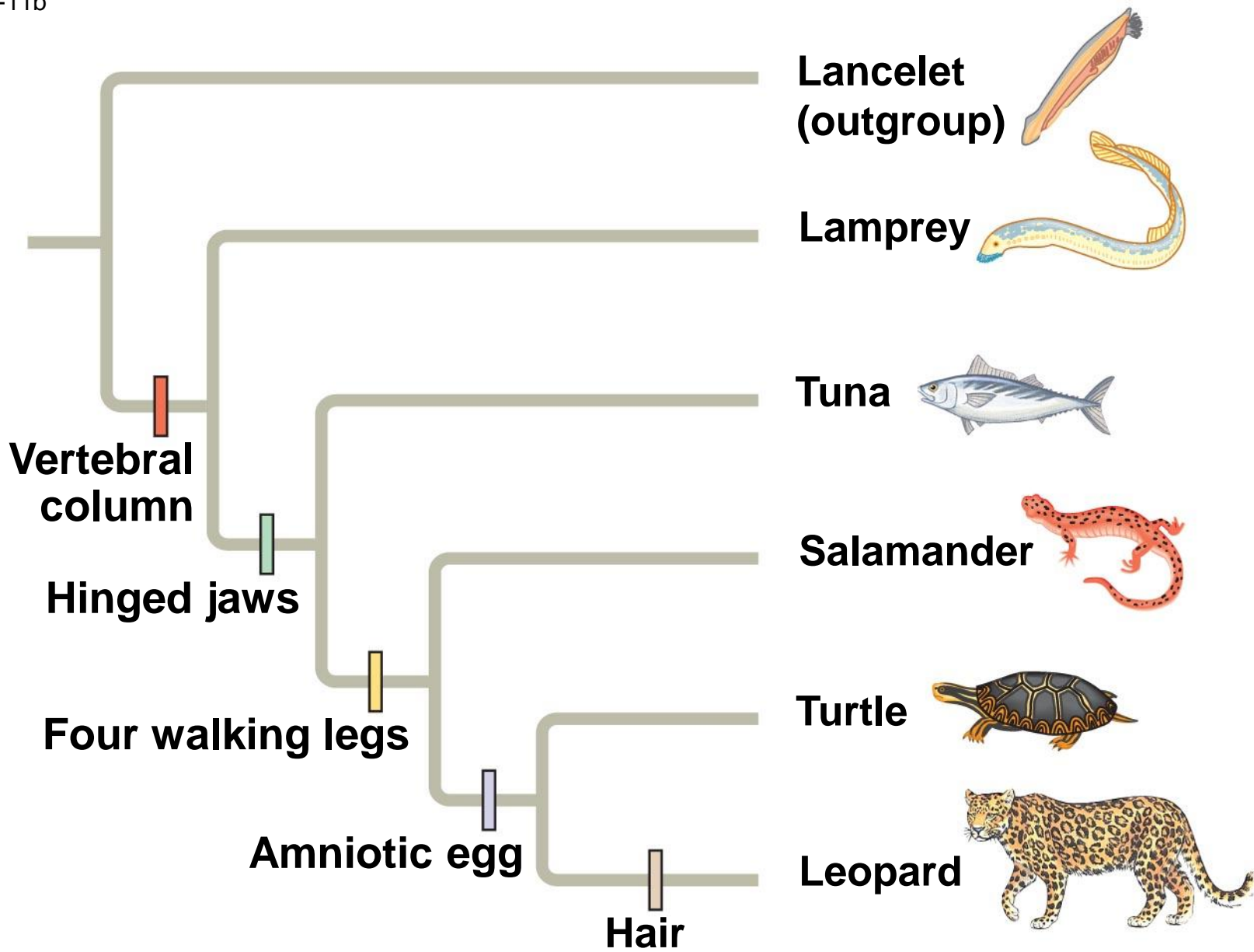
**(b) Paraphyletic group**



**(c) Polyphyletic group**

Fig. 26-4





**(b) Phylogenetic tree**

Fig. 26-13

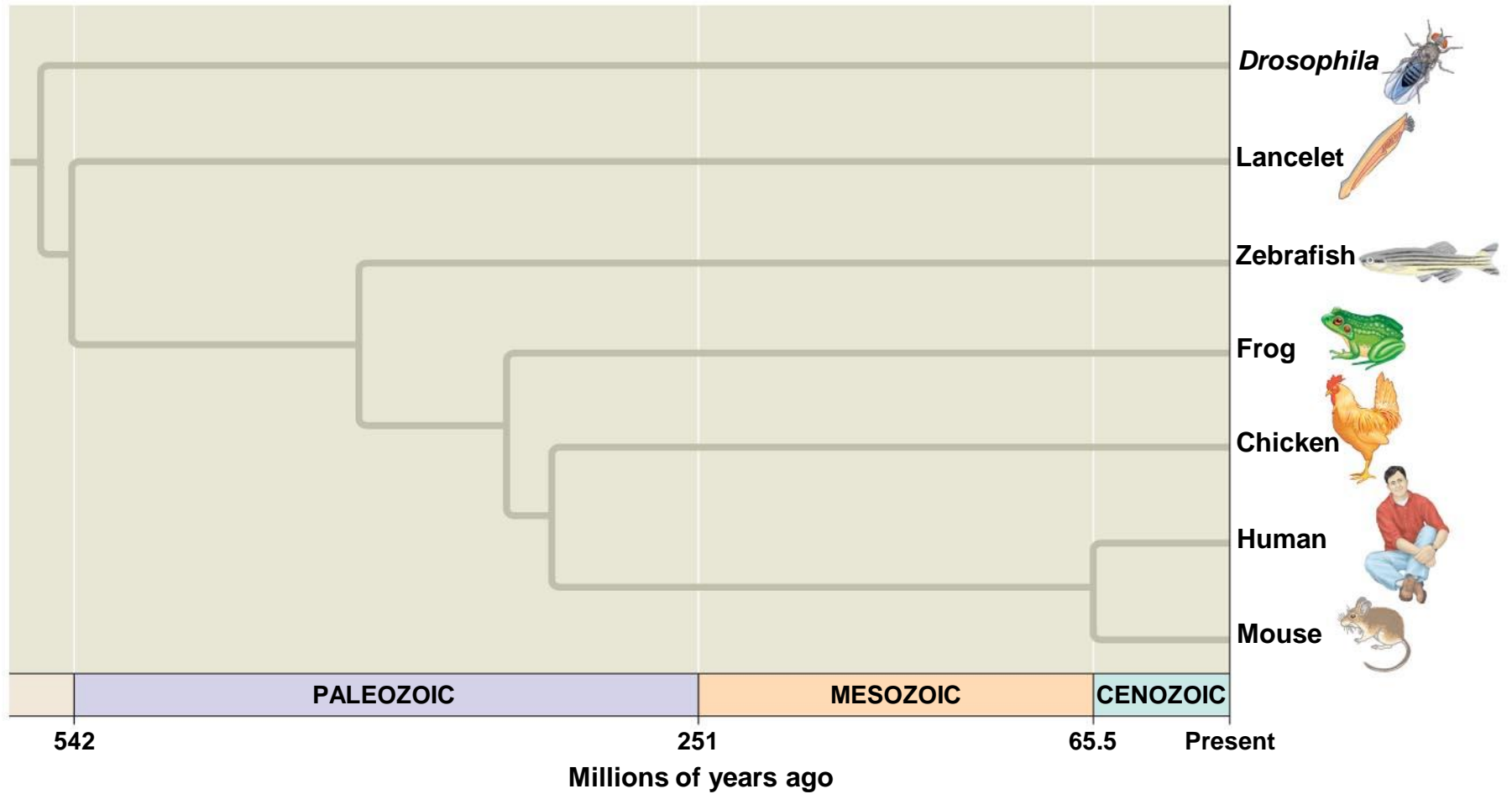




Fig. 26-16

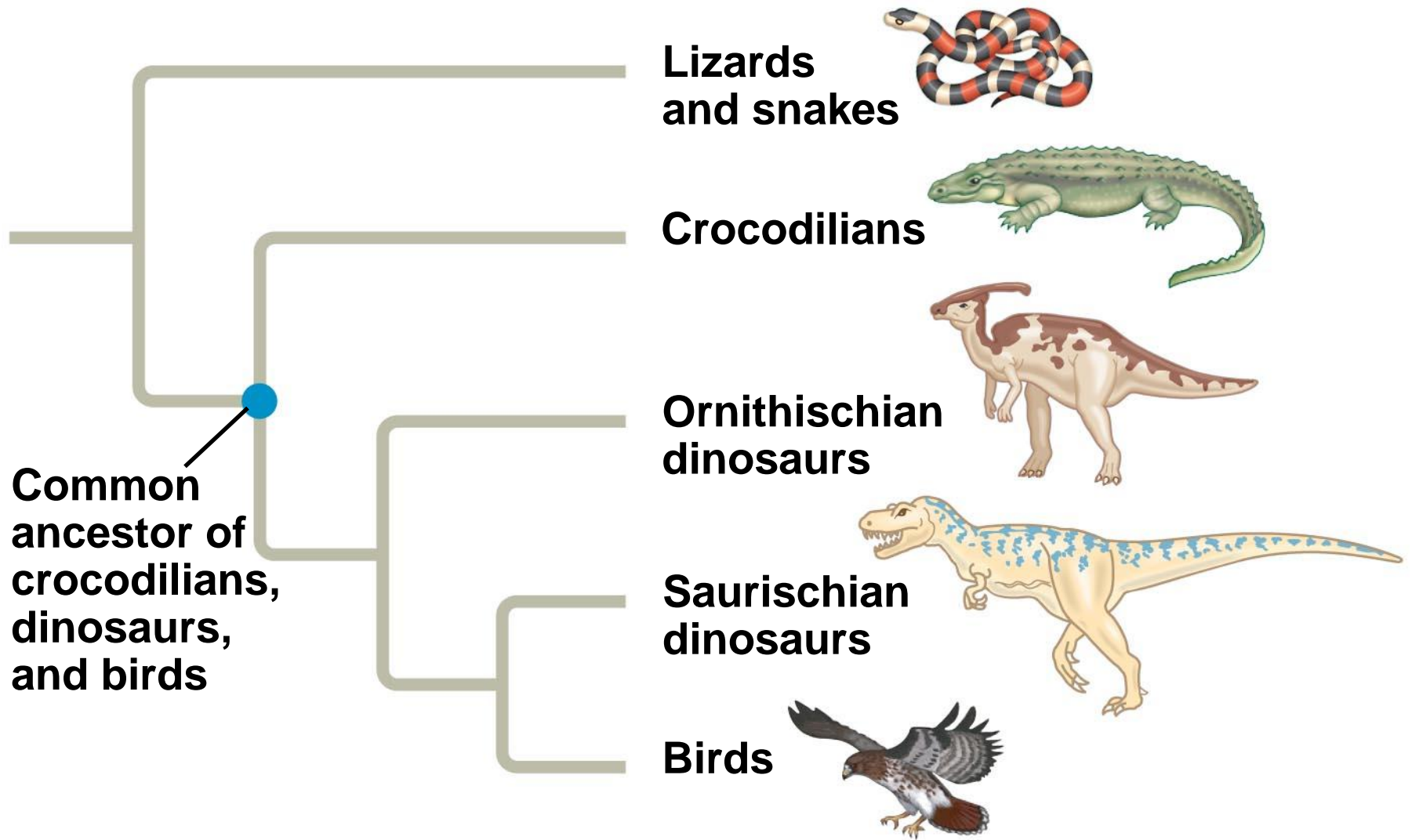


Fig. 26-7



Fig. 26-8

